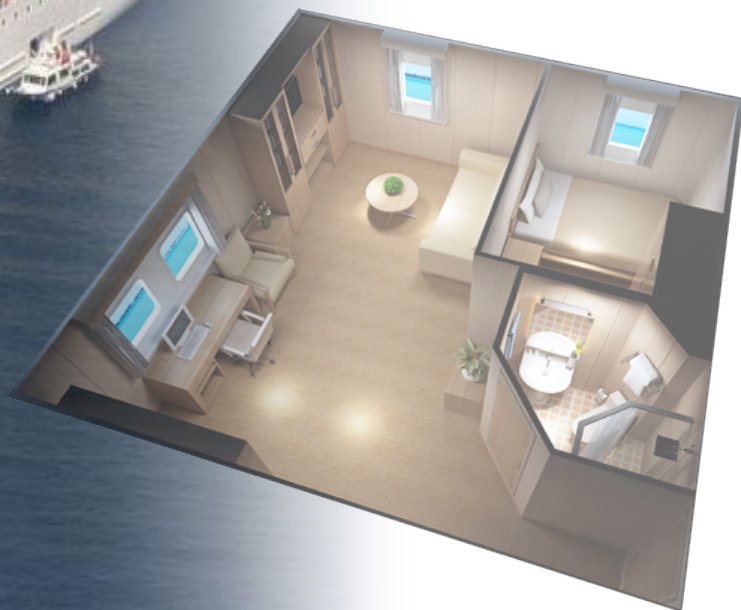


# SHIP ACCOMMODATION

## MARINE WINDOWS

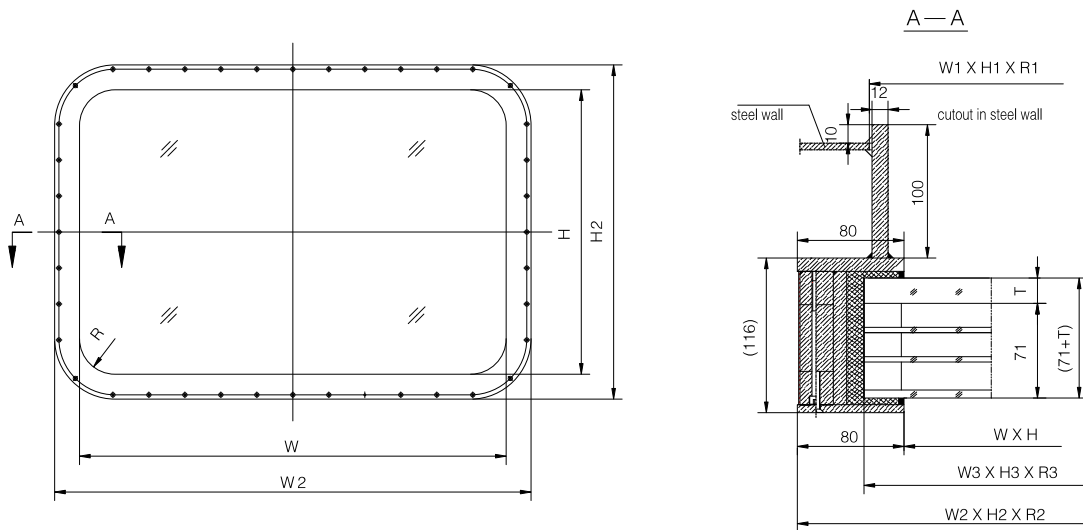




## H120 FIREPROOF WINDOW (welding)

261WDF073-00

Suitable for drilling platforms & other marine structures with H120 fireproof requirement, passed the fire test held by Shanghai Far East Firetesting Center with the test report No. FT05154.



no.	mm nominal size W X H		mm external size W2 X H2 X R2		cutout in steel wall W1 X H1 X R1		mm glass size W3 X H3 X R3		T mm glass thickness	
									E	F
1	300 X 425	R50	460 X 585	R130	352 X 477	R76	360 X 485	R80	10	8
2	355 X 500		515 X 660		407 X 552		415 X 560		10	8
3	400 X 560		560 X 740		452 X 612		460 X 620		12	8
4	450 X 630	R100	630 X 790	R180	502 X 682	R126	510 X 690	R130	12	8
5	500 X 710		660 X 890		552 X 762		560 X 770		15	10
6	560 X 800		720 X 960		612 X 852		620 X 860		15	10
7	900 X 630		1060 X 790		952 X 682		960 X 690		19	12
8	1000 X 710		1160 X 870		1052 X 762		1060 X 770		19	12
9	1100 X 800		1260 X 960		1152 X 852		1160 X 860		19	15
10	1200 X 800		1360 X 960		1252 X 852		1260 X 860		19	15

Identification example:

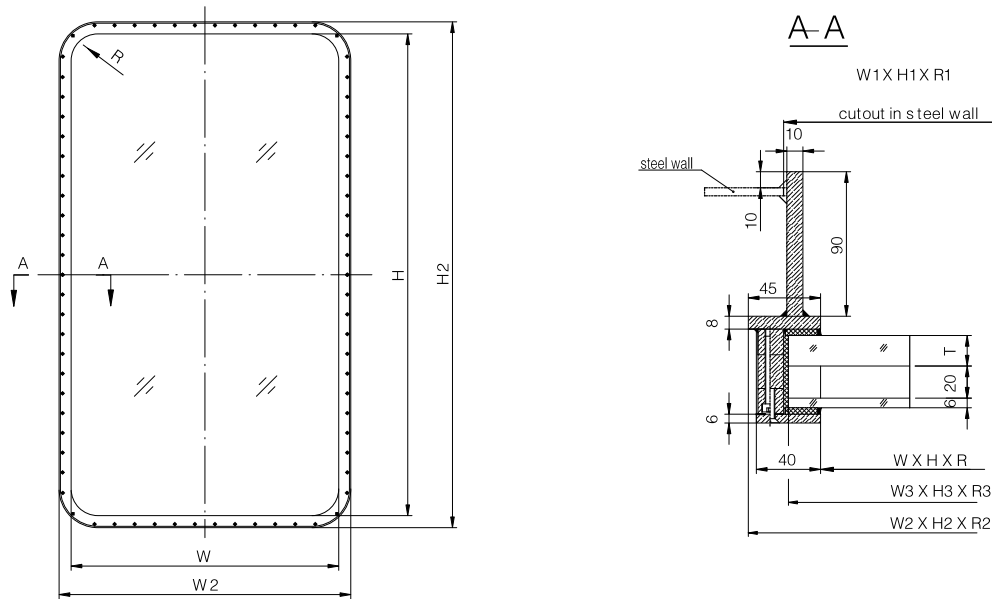
H120 fireproof window with clear size of 1200X800:

H120 fireproof window 1200X800 261WDF073

## A60 FIREPROOF WINDOW (welding)

261WDF071B2-00

Suitable for accommodations & other marine structures with A60 fireproof requirement, passed the fire test held by Shanghai Far East Firetesting Center with the test report No. FT05029.



no.	mm nominal size W X H X R		cutout in steel wall W1 X H1 X R1		mm external size W2 X H2 X R2		mm glass size W3 X H3 X R3		T mm glass thickness	
									E	F
1	300 X 425	R50	352 X 477	R76	390 X 515	R95	340 X 465	R70	10	8
2	355 X 500		407 X 552		445 X 590		395 X 540		10	8
3	400 X 560		452 X 612		490 X 650		440 X 600		12	8
4	450 X 630	R100	502 X 682	R126	540 X 720	R145	490 X 670	R120	12	8
5	500 X 710		552 X 762		590 X 800		540 X 750		15	10
6	560 X 800		612 X 852		650 X 890		600 X 840		15	10
7	900 X 630		952 X 682		990 X 720		940 X 670		19	12
8	1000 X 710		1052 X 762		1090 X 800		1020 X 730		19	12
9	1100 X 800		1152 X 852		1190 X 890		1140 X 840		19	15
10	1200 X 800	1252 X 852	1290 X 890	1240 X 840	19	15				
11	900 X 1400	952 X 1452	990 X 1490	940 X 1440	19	15				
12	900 X 1600	952 X 1652	990 X 1690	940 X 1640	19	15				
13	1000 X 1800	1052 X 1852	1090 X 1890	1040 X 1840	19	15				

Identification example:

Welding A60 fireproof window with clear size of 1200X800:

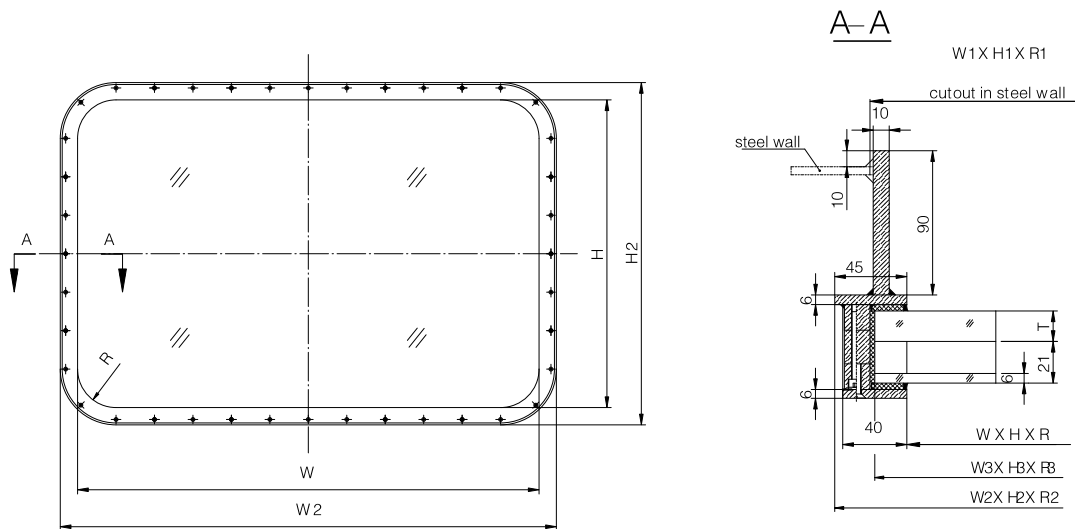
A60 fireproof window 1200X800 261WDF071B2



## A60 FIREPROOF WINDOW (welding)

261WDF071B-00

Suitable for accommodations & other marine structures with A60 fireproof requirement, passed the fire test held by Shanghai Far East Firetesting Center with the test report No. FT04094, FT04129, FT05136.



no.	mm nominal size W X H X R		cutout in steel wall W1 X H1 X R1		mm external size W2 X H2 X R2		mm glass size W3 X H3 X R3		T mm glass thickness	
									E	F
1	300 X 425	R50	352 X 477	R76	390 X 515	R95	340 X 465	R70	10	8
2	355 X 500		407 X 552		445 X 590		395 X 540		10	8
3	400 X 560		452 X 612		490 X 650		440 X 600		12	8
4	450 X 630	R100	502 X 682	R126	540 X 720	R145	490 X 670	R120	12	8
5	500 X 710		552 X 762		590 X 800		540 X 750		15	10
6	560 X 800		612 X 852		650 X 890		600 X 840		15	10
7	900 X 630		952 X 682		990 X 720		940 X 670		19	12
8	1000 X 710		1052 X 762		1090 X 800		1020 X 730		19	12
9	1100 X 800		1152 X 852		1190 X 890		1140 X 840		19	15
10	1200 X 800		1252 X 852		1290 X 890		1240 X 840		19	15

Identification example:

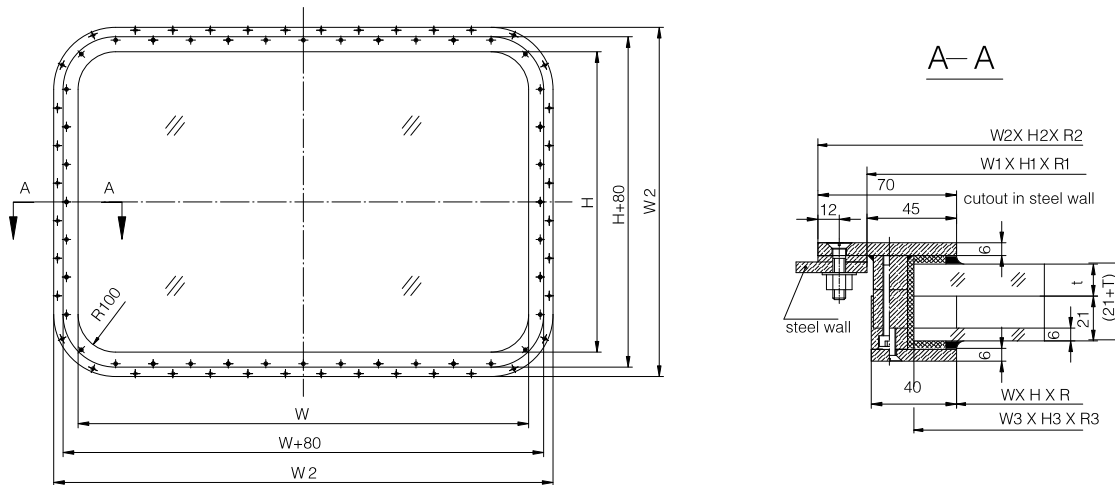
Welding A60 fireproof window with clear size of 1200X800:

A60 fireproof window 1200X800 261WDF071B

## A60 FIREPROOF WINDOW (Bolted)

261WDF071C-00

Suitable for accommodations & other marine structures with A60 fireproof requirement, passed the fire tests held by Shanghai Far East Firetesting Center with the test report No. FT04094.FT04129.FT05136.



no.	mm nominal size W X H		cutout in steel wall W1 X H1 X R1		mm external size W2 X H2 X R2		mm glass size W3 X H3 X R3		T mm glass thickness	
									E	F
1	300 X 425	R50	390 X 515	R95	440 X 565	R120	340 X 465	R70	10	8
2	355 X 500		445 X 590		495 X 650		395 X 540		10	8
3	400 X 560		490 X 650		540 X 700		440 X 600		12	8
4	450 X 630	R100	540 X 720	R145	590 X 770	R170	490 X 670	R120	12	8
5	500 X 710		590 X 800		650 X 850		540 X 750		15	10
6	560 X 800		650 X 890		700 X 940		600 X 840		15	10
7	900 X 630		990 X 720		1040 X 770		940 X 670		19	12
8	1000 X 710		1090 X 800		1140 X 850		1020 X 730		19	12
9	1100 X 800		1190 X 890		1200 X 940		1140 X 840		19	15
10	1200 X 800		1290 X 890		1340 X 940		1240 X 840		19	15

Identification example:

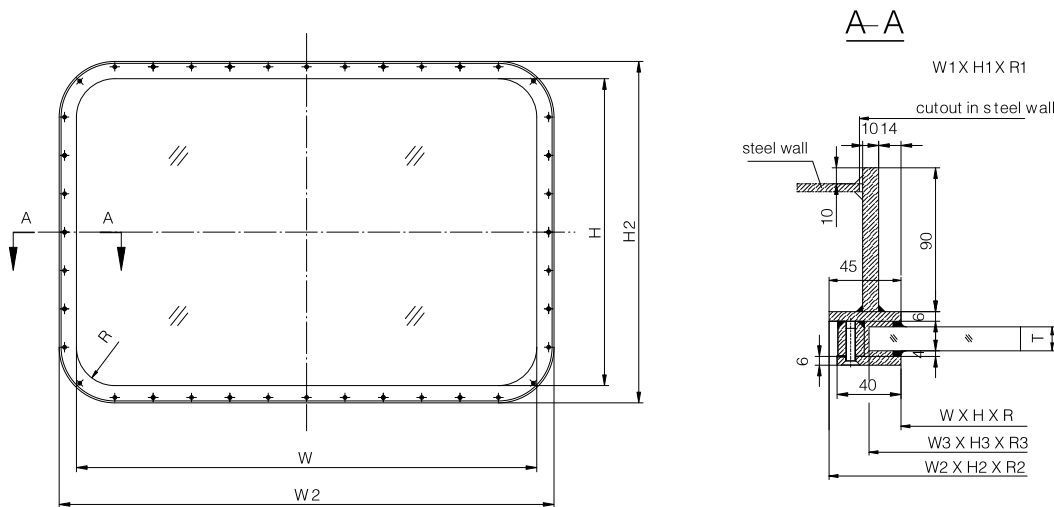
Bolted A60 fireproof window with clear size of 1200X800:

A60 fireproof window 1200X800 261WDF071C

## A0 FIREPROOF WINDOW (Welding)

261WDF071E-00

Suitable for accommodations & other marine structures with A0 fireproof requirement, passed the fire test held by Shanghai Far East Firetesting Center with the test report No. FT04080.



no.	mm nominal size W X H		cutout in steel wall W1 X H1 X R1		mm external size W2 X H2 X R2		mm glass size W3 X H3 X R3		T mm glass thickness	
									E	F
1	300 X 425	R50	352 X 477	R76	390 X 515	R95	340 X 465	R70	10	8
2	355 X 500		407 X 552		445 X 590		395 X 540		10	8
3	400 X 560		552 X 612		490 X 650		440 X 600		12	8
4	450 X 630	R100	502 X 682	R126	540 X 720	R145	490 X 670	R120	12	8
5	500 X 710		552 X 762		590 X 800		540 X 750		15	10
6	560 X 800		612 X 852		650 X 890		600 X 840		15	10
7	900 X 630		952 X 682		990 X 720		940 X 670		19	12
8	1000 X 710		1052 X 762		1090 X 800		1020 X 730		19	12
9	1100 X 800		1152 X 852		1190 X 890		1140 X 840		19	15
10	1200 X 800		1252 X 852		1290 X 890		1240 X 840		19	15

Identification example:

Welding A0 fireproof window with clear size of 1200X800:

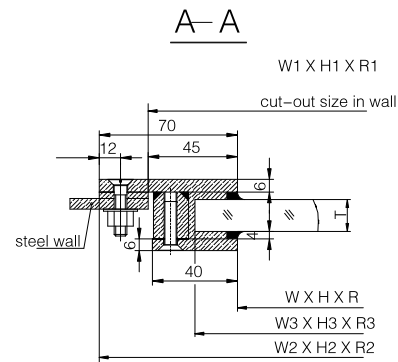
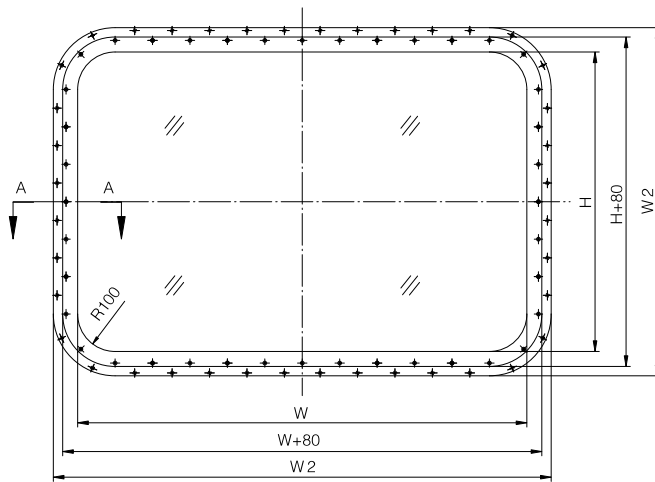
A0 fireproof window 1200X800 261WDF071E



## A0 FIREPROOF WINDOW (Bolted)

261WDF071D-00

Suitable for accommodations & other marine structures with A0 fireproof requirement, passed the fire test held by Shanghai Far East Firetesting Center with the test report No. FT04080.



no.	mm nominal size W X H		cutout in steel wall W1 X H1 X R1		mm external size W2 X H2 X R2		mm glass size W3 X H3 X R3		T mm glass thickness	
									E	F
1	300 X 425	R50	390 X 515	R95	440 X 565	R120	340 X 465	R70	10	8
2	355 X 500		445 X 590		495 X 650		395 X 540		10	8
3	400 X 560		490 X 650		540 X 700		440 X 600		12	8
4	450 X 630	R100	540 X 720	R145	590 X 770	R170	490 X 670	R120	12	8
5	500 X 710		590 X 800		650 X 850		540 X 750		15	10
6	560 X 800		650 X 890		700 X 940		600 X 840		15	10
7	900 X 630		990 X 720		1040 X 770		940 X 670		19	12
8	1000 X 710		1090 X 800		1140 X 850		1020 X 730		19	12
9	1100 X 800		1190 X 890		1200 X 940		1140 X 840		19	15
10	1200 X 800		1290 X 890		1340 X 940		1240 X 840		19	15

Identification example:

Bolted A0 fireproof window with clear size of 1200X800:

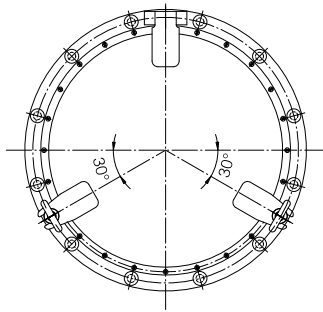
A0 fireproof window 1200X800 261WDF071D



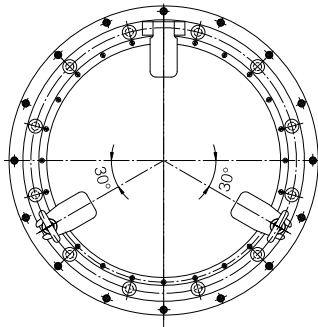
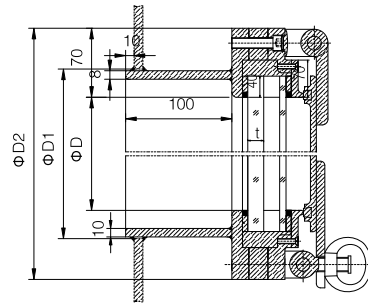
## A60 FIREPROOF SIDE SCUTTLE

261WDF072-00

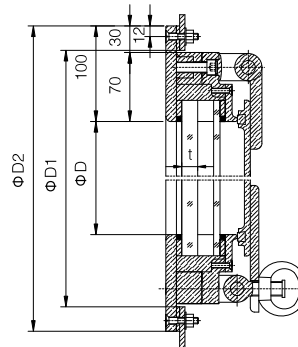
Suitable for accommodations & other marine structures with A60 fireproof requirement, passed the fire test held by Shanghai Far East Firetesting Center with the test report No.FT04129.



Type B  
welding



Type C  
bolted



no.	mm ΦD nominal size	type B(welding)		type C(bolted)		t mm glass thickness	
		ΦD1 cutout in steel wall	mm ΦD2 external size	ΦD1 cutout in steel wall	mm ΦD2 external size	heavy	light
1	200	253	340	344	400	10	8
2	250	308	390	394	450	12	8
3	300	363	440	444	500	15	10
4	350	413	490	494	550	15	12
5	400	463	540	544	600	19	12
6	450	513	590	594	650	19	15

Identification example:

Welding A60 fireproof side scuttle of Φ450:

A60 fireproof side scuttle Φ450 261WDF072B

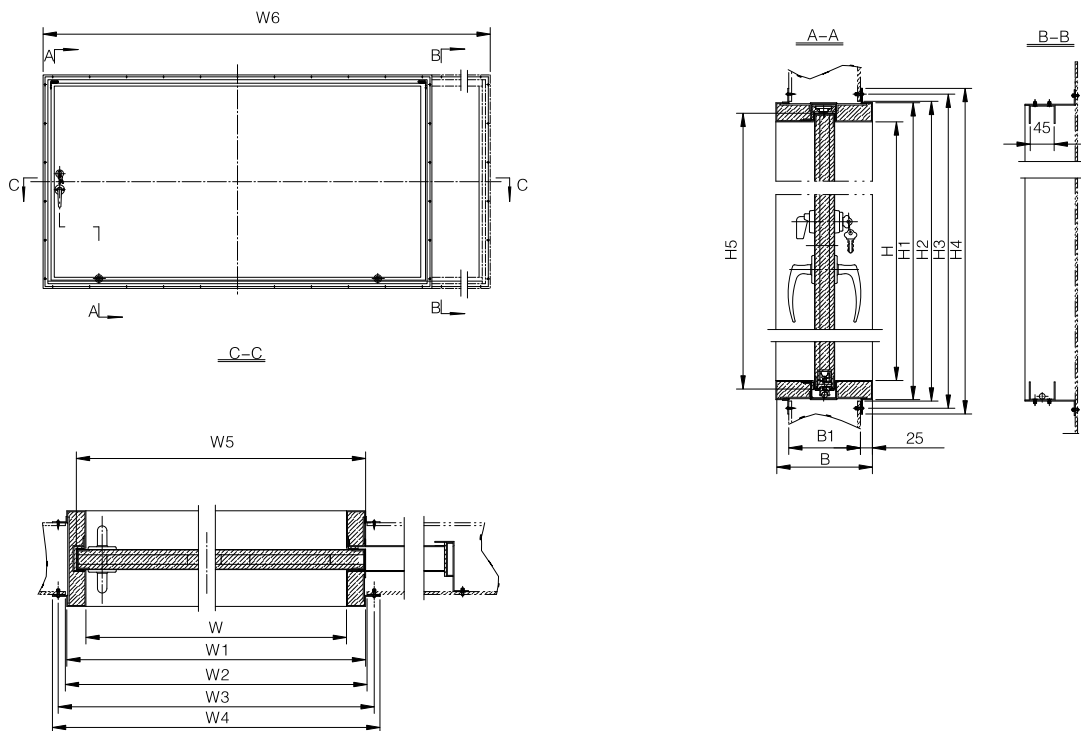




## A60 FIREPROOF SERVICE WINDOW

261XDF027-05

Used for A60 fire-divisions, passed fire test hold by Shanghai Far East fire testing centre with test report No.FT05044.



no.	nominal size	cutout in steel wall		frame size					leaf size	rail length	
	WxH	W2xH2	W1xH1	W3xH3	W4xH4	B	B1	screw		W5xH5	W6
								qty	dia		
1	630x500	716x586	710x580	746x616	770x640	200 300	150 250	22	6	690x536	1350
2	900x630	986x716	980x710	1016x746	1040x770			28	6	960x666	1890
3	1100x800	1186x886	1180x880	1216x916	1240x940			32	6	1160x836	2290
4	1400x1000	1486x1086	1480x1080	1516x1116	1540x1140			42	6	1460x1036	2890
5	1800x1100	1886x1186	1880x1180	1916x1216	1940x1240			48	6	1860x1136	3690
6	2300x1200	2386x1286	2380x1280	2416x1316	2440x1340			56	6	2360x1236	4690

Identification example:

A60 fireproof service window with clear size of 2300X1200

A60 fireproof service window 2300X1200 261XDF027-05


**RECTANGULAR WINDOW**

GB/T5746-2001

Used for the rectangular window of superstructure above freeboard deck and deck house. It meets ISO3903-1993.

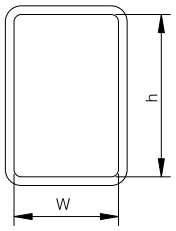
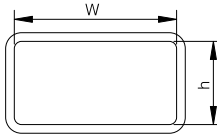
Series

N	ordinary	with safety glass
P	fire protection	for fire class B
H	heating	with electrical heating glass in accordance of ISO3434

Type

E	heavy
F	light

nominal size code

code	nominal size W X h	figure
1	300 X 425	
2	355 X 500	
3	400 X 560	
4	450 X 630	
5	500 X 710	
6	560 X 800	
7	900 X 630	
8	1000 X 710	
9	1100 X 800	

type

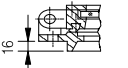
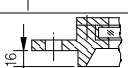
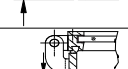
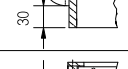
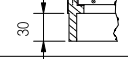
opening type	opening direction			installation		type code	( nominal size )		
				bolted type	welding type		E	F	
opening	inward	side hinge	left ( L )	B	-	ILB	1 ~ 6	1 ~ 6	
			right ( R )	B	-	IRB			
		up hinge ( T )	B	-	ITB	4 ~ 8			4 ~ 9
			B	-	ITW				
	outward	side hinge	left ( L )	B	-	OLB	1 ~ 6	1 ~ 6	
			right ( R )	B	-	ORB			
		up hinge ( T )	B	-	OTB	4 ~ 8			4 ~ 9
			B	-	OTW				
fixed	-			B	-	NOB	1 ~ 8	1 ~ 9	
-	-	-	W	NOW					

rectangular window		glass thickness													
series	type	nominal size code													
		1	2	3	4	5	6	7	8	9					
N	E	10 ( 15 )	10 ( 15 )	12 ( 19 )	12 ( 19 )	15 -	15 -	19 -	19 -	19 -	-	-	-	-	-
	F	8 ( 12 )	8 ( 12 )	8 ( 12 )	8 ( 12 )	10 ( 15 )	10 ( 15 )	12 ( 19 )	12 ( 19 )	15 -	-	-	-	-	-
P	E	ISO 5797-1 ( B-0, B-15 )													
	F														
H	E	ISO 3434													
	F														


**RECTANGULAR WINDOW**

GB/T5746-2001

convex shoulder high

			processing height	actual height
bolted type	opening		16	up to buyer's choice
	fixed			
welding type	opening		30	
	fixed			

material &amp; composition code

type	installation	material			material code
		main frame	glass holder	retaining frame	
opening	bolted	cu(1)	cu(1)	cu(1)	111
		At(2)	At(2)	At(2)	222
		Al(3)	Al(3)	Al(3)	333
	welding	At(2)	cu(1)	cu(1)	211
		At(2)	At(2)	cu(1)	221
		At(2)	At(2)	At(2)	233
fixed	bolted	cu(1)	N(0)	cu(1)	101
		At(2)	N(0)	At(2)	202
		Al(3)	N(0)	Al(3)	303
	welding	At(2)	N(0)	cu(1)	201
		At(2)	N(0)	At(2)	202
		At(2)	N(0)	Al(3)	203
		Al(3)	N(0)	Al(3)	303

glass code

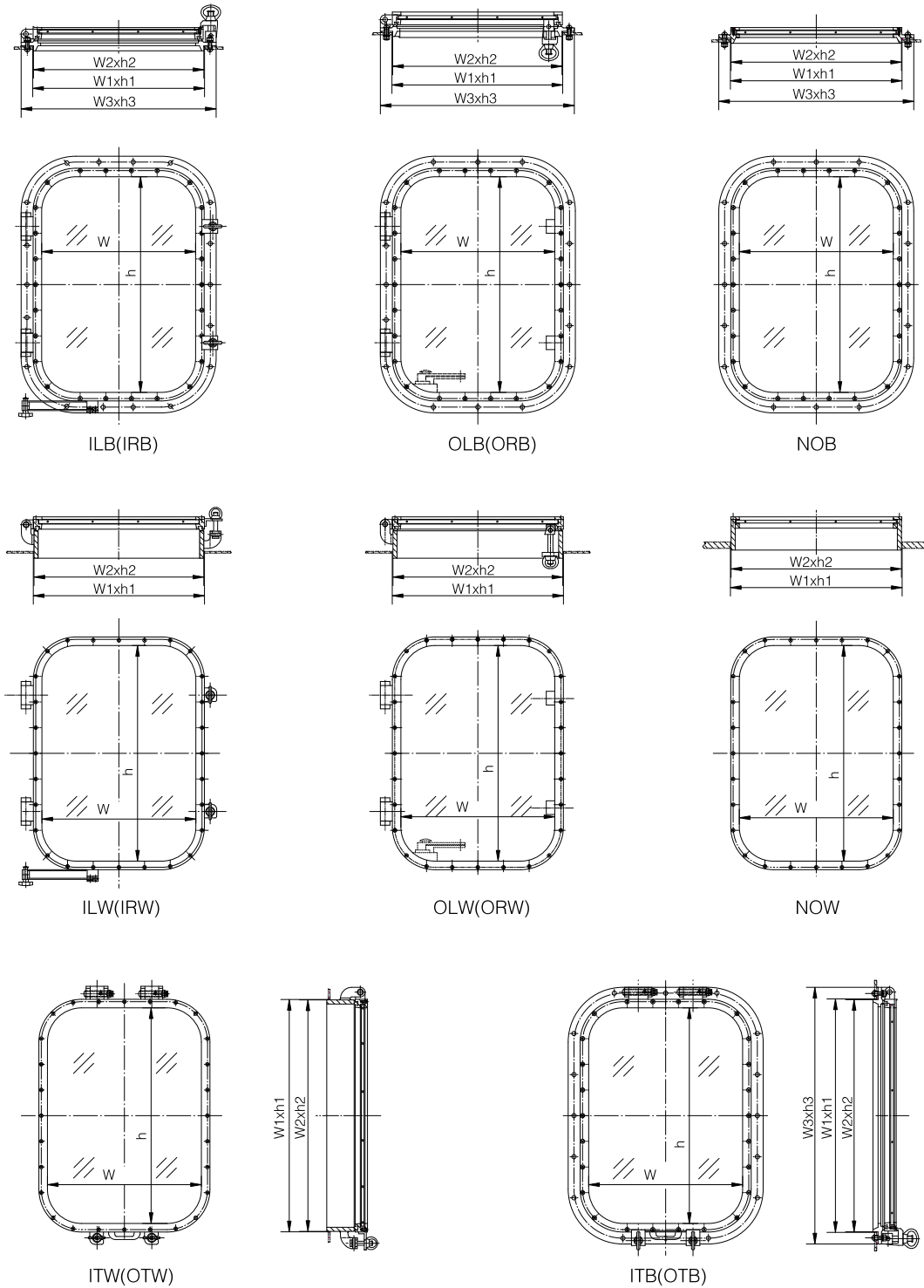
electricity			overheating protection	( W/dm <sup>2</sup> ) min. power load		
power	v	Hz		7	12	17
DC	24	-	G	7G01	12G01	17G01
			S	7S01	12S01	17S01
	110	-	G	7G02	12G02	17G02
			S	7S02	12S02	17S02
220	-	G	7G03	12G03	17G03	
		S	7S03	12S03	17S03	
AC	115	50	G	7G11	12G11	17G11
			S	7S11	12S11	17S11
		60	G	7G12	12G12	17G12
			S	7S12	12S12	17S12
	220	50	G	7G13	12G13	17G13
			S	7S13	12S13	17S13
		60	G	7G14	12G14	17G14
			S	7S14	12S14	17S14
AC	115	50	G	7G31	12G31	17G31
			S	7S31	12S31	17S31
		60	G	7G32	12G32	17G32
			S	7S32	12S32	17S32
	220	50	G	7G33	12G33	17G33
			S	7S33	12S33	17S33
		60	G	7G34	12G34	17G34
			S	7S34	12S34	17S34
	220/380	50	G	7G35	12G35	17G35
			S	7S35	12S35	17S35
		60	G	7G36	12G36	17G36
			S	7S36	12S36	17S36
440	50	G	7G37	12G37	17G37	
		S	7S37	12S37	17S37	
	60	G	7G38	12G38	17G38	
		S	7S38	12S38	17S38	

Note: 1.G for central control,S for individual control, see ISO3434-1992 5.4  
2.More considerations taken for near polar voyage.


**RECTANGULAR WINDOW**

GB/T5746-2001

Figure of rectangular window




**RECTANGULAR WINDOW**

GB/T5746-2001

series	type	code	nominal size W X h	cutout in steel wall		mm size of frame		opening	
				W1 X h1	r	W2 X h2	W3 X h3		
N	E	1	300 X 425	352 X 477	76	348 X 473	430 X 555	ILB	ILW
		2	355 X 500	407 X 552	76	403 X 548	485 X 630		
		3	400 X 560	452 X 612	76	448 X 608	530 X 690		
		4	450 X 630	502 X 682	126	498 X 678	580 X 760		
P	F	5	500 X 710	552 X 762	126	548 X 758	630 X 840	OLB	OLW
		6	560 X 800	612 X 852	126	608 X 848	690 X 930	ORB	ORW
H	F	7	900 X 630	952 X 682	126	948 X 678	1030 X 760	OTB	OTW
		8	1000 X 710	1052 X 762	126	1048 X 758	1130 X 840	NOB	NOW
		9	1100 X 800	1152 X 852	126	1148 X 848	1230 X 930		

Identification example:

1.Normal(N)

heavy(E), nominal size 450 × 630, convex shoulder height 16, hinged, left inward opening, bolted(ILB), material combination 111, safety glass(Y1):

Rectangular window N-E4 × 16-ILB-111-Y1 GB/T5746-1996

2.Fireproof ( P )

light ( F ), nominal size 450 × 630, convex shoulder height 16, upper hinged, inward opening, bolted(ITB), material combination,111 B-15 fireproof glass;

Rectangular window P-F4 × 16-ITB-111-B15 GB/T5746-1996

3.Heating ( H )

 light ( F ), nominal 450 × 630, convex shoulder height 30, fixed, welding ( NOW ), material combination 233, with overheating protection, power load 12W/m<sup>2</sup>, 220V, 60HZ:

Rectangular window H-F4 × 16-NOW-233-12S14 GB/T5746-1996

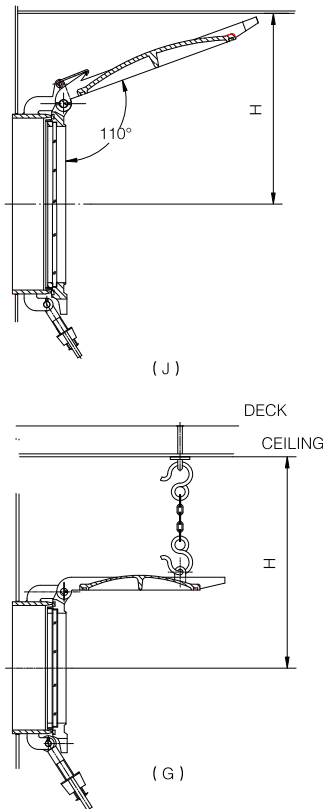

**SIDE SCUTTLE**

GB/T14413-1993

Used for sea-going ship and warships could used for inland ship.

name	type	size of clear D (mm)	opening		installation	material code		deadlight opening	glass	application
			opening	fixed		bolted	welding			
heavy	A	200 250 300 350 400	( L )		bolted ( B )	112	212	( G )		with watertight & gastight requirements above full load waterline, below freeboard
			( R )			112	212			
medium	B	200 250 300 350 400 450	( S )	fixed ( N )	welding ( W )	222	222	( J )	transparent ( Y1 )	Above freeboard, first deck for cargo vessels
						333	233			
htlig	C		( L )			220	210		frothing ( Y2 )	Above freeboard for passenger vessels.
			( R )			330	220			
						110	230			

material composition code



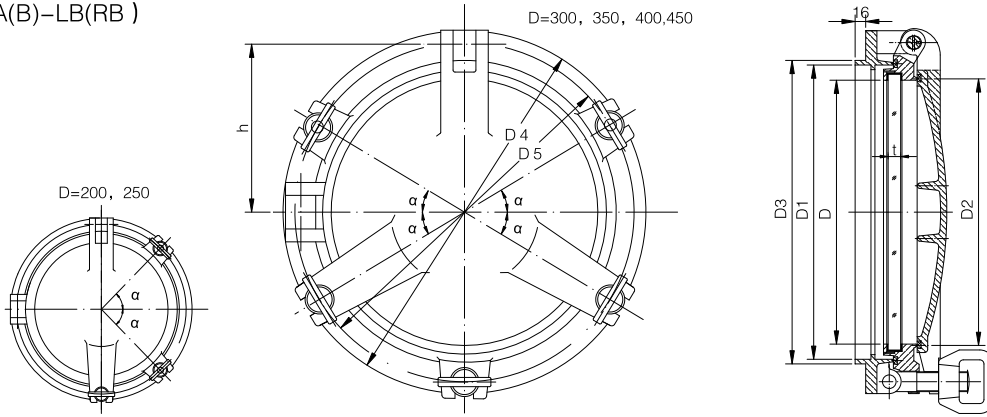
type	install type	material			material code
		main frame	glass holder & retaining frame	deadlight	
A	bolted	cu(1)	cu(1)	At(2)	112
	welding	At(2)	cu(1)	At(2)	212
B	bolted	At(2)	At(2)	At(2)	222
		Al(3)	Al(3)	Al(3)	333
	welding	cu(1)	cu(1)	At(2)	112
		At(2)	At(2)	At(2)	212
		At(2)	Al(3)	Al(3)	233
		At(2)	At(2)	--	220
C	bolted	Al(3)	Al(3)	--	330
		cu(1)	cu(1)	--	110
	welding	At(2)	cu(1)	--	210
		At(2)	At(2)	--	220
	At(2)	Al(3)	--	230	

D clear size		200	250	300	350	400	450
min. distance between the side scuttle center and ceiling	( J )	350	400	450	500	540	580
H	( G )	up to buyer's choice					


**SIDE SCUTTLE**

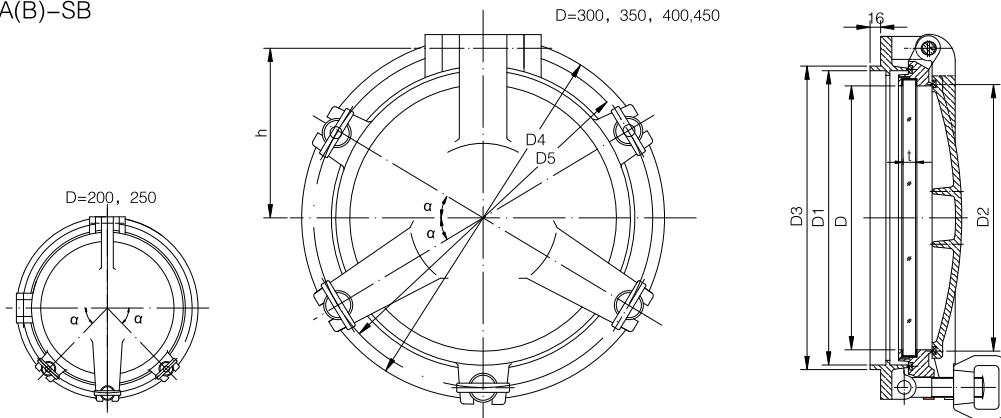
GB/T14413-1993

Type A(B)-LB(RB )



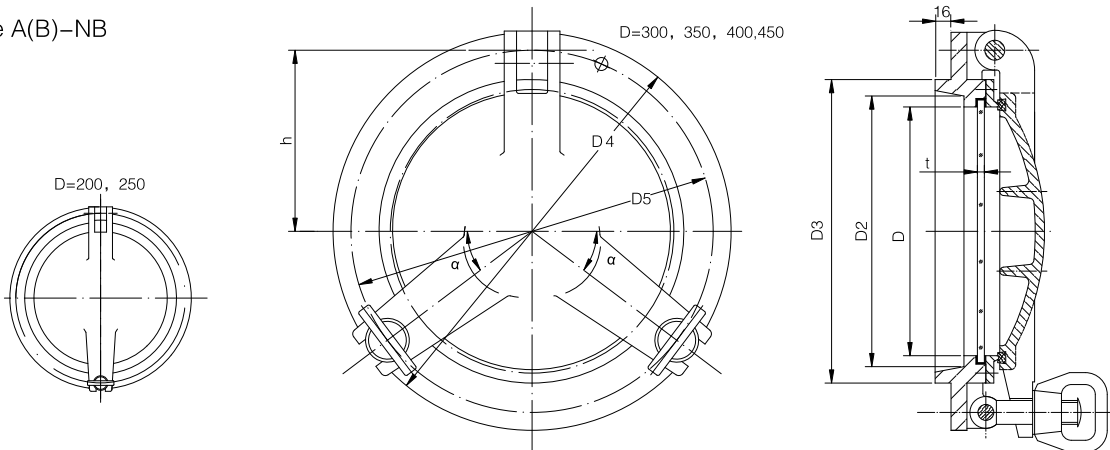
Type A(B)-LB ( RB )

Type A(B)-SB



Type A(B)-SB

Type A(B)-NB

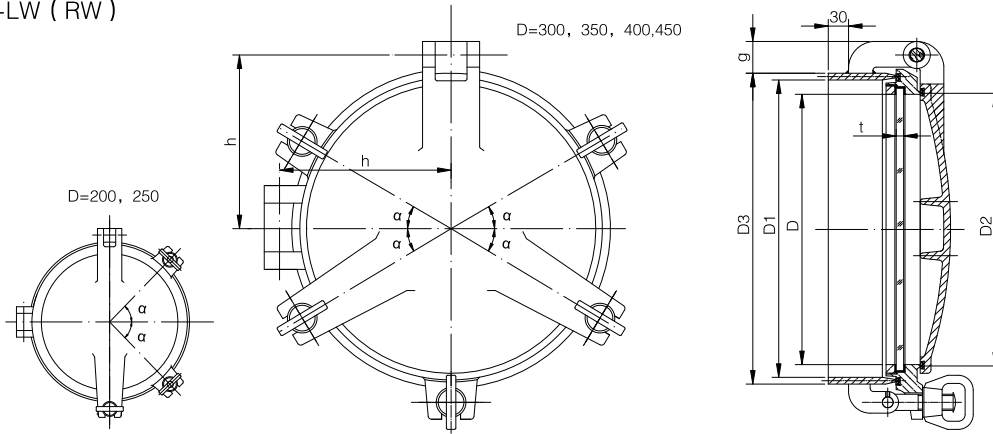


Type A(B)-NB


**SIDE SCUTTLE**

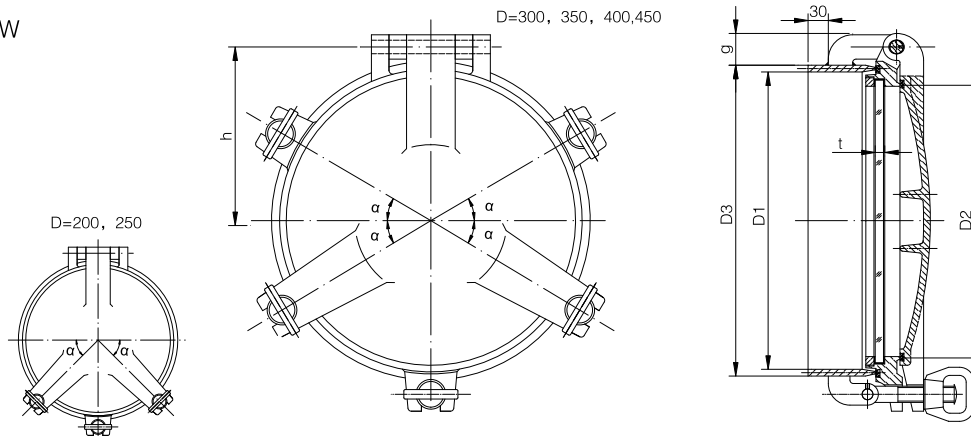
GB/T14413-1993

Type A(B)--LW ( RW )



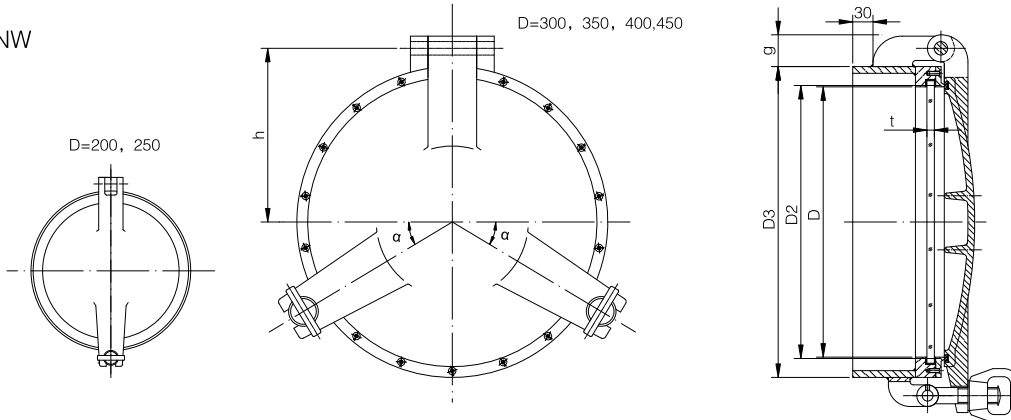
Type A(B)-LW ( RW )

Type A(B)--SW



Type A(B)-SW

Type A(B)-NW



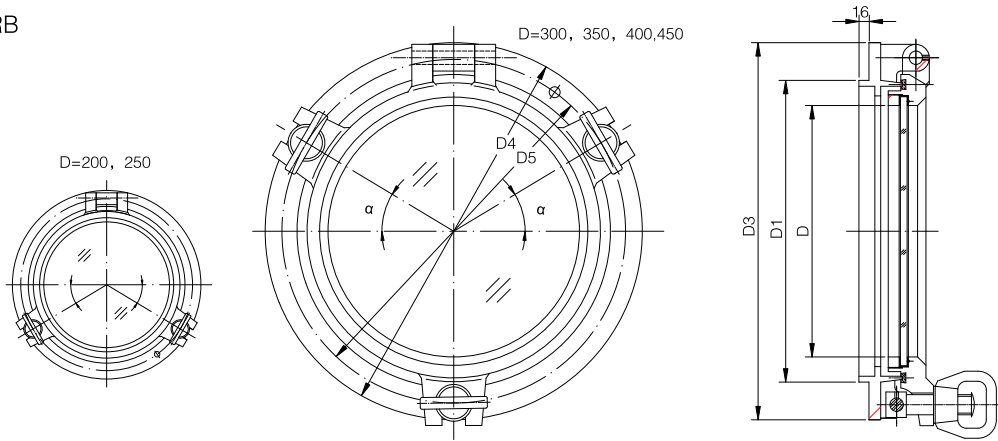
Type A(B)-NW



**SIDE SCUTTLE**

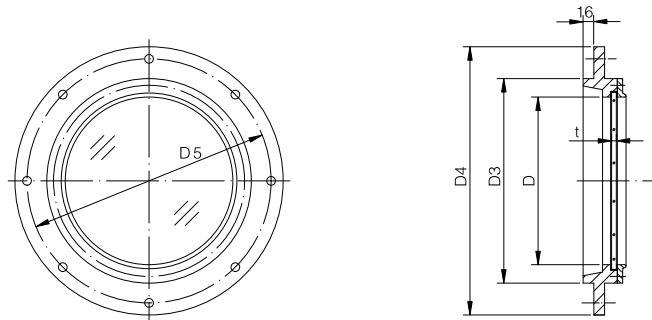
GB/T14413-1993

Type C-LRB



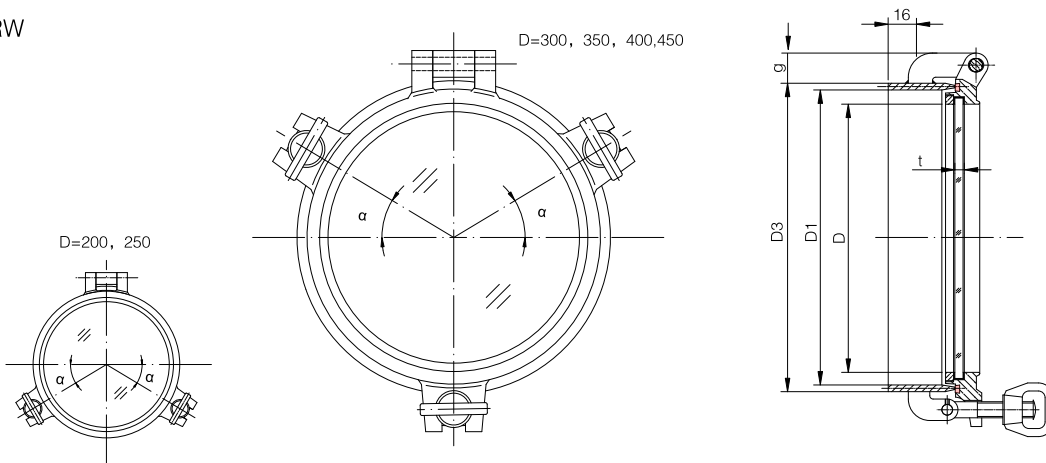
Type C-LRB

Type C-NB



Type C-NB

Type C-LRW

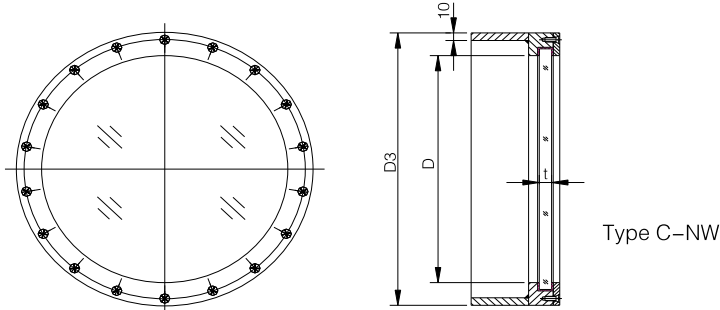


Type C-LRW


**SIDE SCUTTLE**

GB/T14413-1993

Type C-NW



(mm) heavy &amp; medium dimension

clear size D	D1	D2	D3	D4	D5	h	t		gmax	bolt		cutout in steel wall
							A	B		whorl	cut	
Φ 200	Φ 245	Φ 204	Φ 250	Φ 350	Φ 310	155	10	8	50	M16(12)	8	253
Φ 250	Φ 295	Φ 254	Φ 305	Φ 400	Φ 364	182	12	8	47.5	M16	8	308
Φ 300	Φ 350	Φ 304	Φ 360	Φ 450	Φ 414	207	15	10	45	M16	12	363
Φ 350	Φ 400	Φ 354	Φ 410	Φ 500	Φ 464	232	15	12	45	M18	12	413
Φ 400	Φ 450	Φ 404	Φ 460	Φ 550	Φ 514	257	19	12	45	M18	12	463
Φ 450	Φ 500	Φ 454	Φ 510	Φ 600	Φ 564	282	-	15	45	M20	12	513

(mm) light dimension

clear size D	D1	D2	D3	D4	h	t	gmax	bolt		cutout in steel wall
								whorl	cut	
Φ 200	Φ 245	Φ 250	Φ 350	Φ 310	155	6	50	M12	8	253
Φ 250	Φ 295	Φ 305	Φ 400	Φ 364	182	6	47.5	M16	8	308
Φ 300	Φ 350	Φ 360	Φ 450	Φ 414	207	8	45	M16	12	363
Φ 350	Φ 400	Φ 410	Φ 500	Φ 464	232	8	45	M18	12	413
Φ 400	Φ 450	Φ 460	Φ 550	Φ 514	257	10	45	M18	12	463
Φ 450	Φ 500	Φ 510	Φ 600	Φ 564	282	10	45	M20	12	513

Identification example:

 light side scuttle, clear size of 400, welding, fixed  
 ( NW ), steel coaming, aluminium glass holder,  
 plain safety glass, without deadlight;

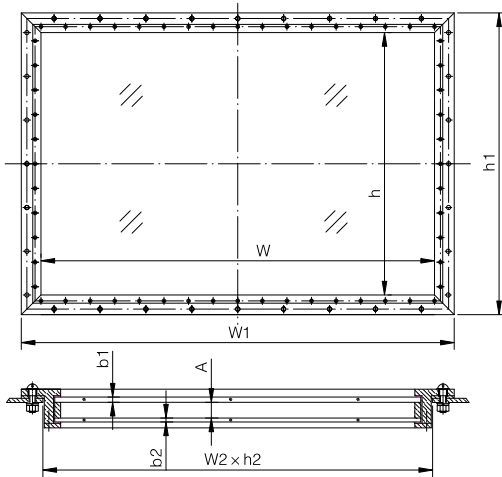
Side scuttle C400-NW-230-Y1 GB/T14413-93



## ALUMINIUM SOUNDPROOF HOLLOW WINDOW

CB/T3917-1999 (ZBU26003-89)

Used for the cabin rooms which need soundproof, heat insulation and keeping temperature.



code	type
G	safety glass
P	ordinary glass
J	soundproof glass
C	dark brown safety glass

no.	mm		cutout in steel wall W2 X h2	glass thickness b1	hollow A	glass thickness b2	soundproof lay TL(dB)	bolt		weight kg
	clear size W X h	outline size W1 X h1						qty	diameter	
1	300 X 425	420 X 545	352 X 477	6	6	6	29	14	M12	10.0
2	300 X 425	420 X 545	352 X 477	6	9	6	30.5	14	M12	10.0
3	355 X 500	475 X 620	407 X 552	6	6	6	29	16	M12	15.6
4	355 X 500	475 X 620	407 X 552	6	9	6	31.5	16	M12	16.2
5	400 X 560	520 X 680	452 X 612	6	6	6	31.5	18	M12	18.2
6	400 X 560	520 X 680	452 X 612	6	9	6	31	18	M12	18.6
7	450 X 630	570 X 750	502 X 682	6	9	6	30.5	20	M12	21.2
8	500 X 710	620 X 830	552 X 762	6	9	6	31.8	22	M12	25.3
9	900 X 630	1020 X 750	952 X 682	6	12	6	35	26	M12	29.4
10	900 X 630	1020 X 750	952 X 682	8	16	6	31	26	M12	33.2
11	900 X 630	1020 X 750	952 X 682	8	24	6	35	26	M12	34.0
12	1000 X 800	1120 X 920	1052 X 852	8	16	6	34	32	M12	45.9
13	1000 X 800	1120 X 920	1052 X 852	8	24	6	33	32	M12	46.7
14	1200 X 800	1320 X 920	1252 X 852	8	24	6	34	34	M12	54.4
15	1400 X 800	1520 X 920	1452 X 852	8	24	6	33	36	M12	59.2
16	1600 X 1000	1720 X 1120	1652 X 1052	8	24	6	32	40	M12	81.3
17	1800 X 1200	1920 X 1320	1852 X 1252	8	24	6	30.52	44	M12	104.5

Identification example:

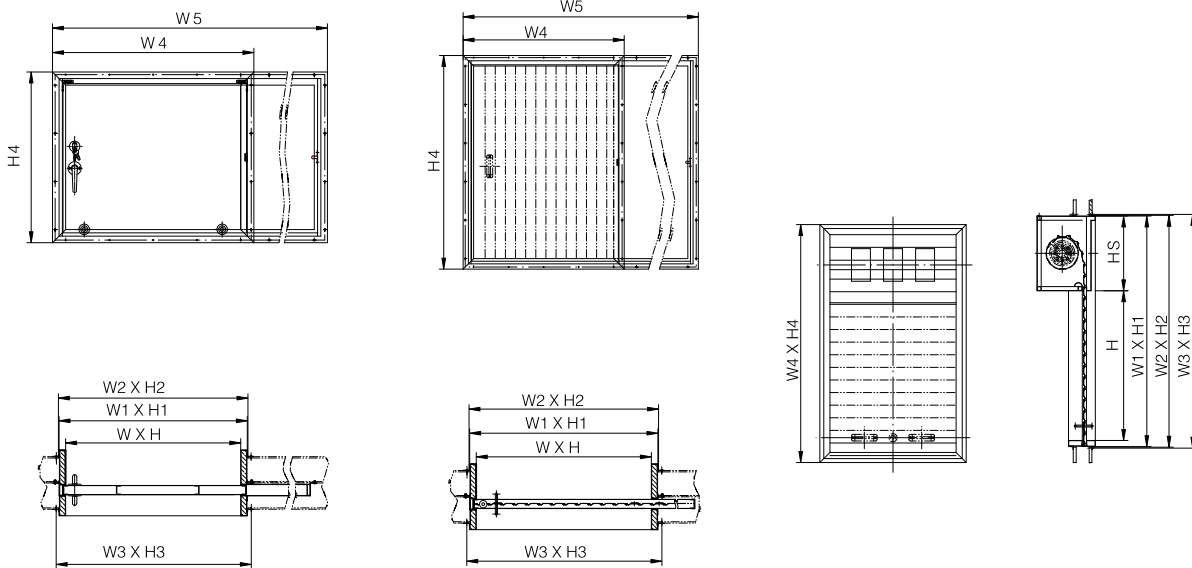
Aluminium soundproof hollow window clear size of 1000X800,A 24mm;

Aluminium soundproof hollow window 1000X800X24G ZBU26003-89

## FIREPROOF SERVICE WINDOW

CB\*3288-1987

Used for galley, pantry, store and shop etc.



Type A -- sliding

Type B -- sliding

Type C -- rolling

type	clear size W X H	cutout size W2 X H2		frame size						rail W5	length HS	frame width			weight Kg						
				W1 X H1		W3 X H3		W4 X H4				b		b1		steel			aluminium		
		A,B	C	A,B	C	A,B	C	A,B	C	A,B	C	A,B	C	A	B	C	A	B	C		
		A	630x500	696x566	696x786	690x560	690x780	720x590	720x810	750x620	750x840	1350	200	180	300	120	240	31.8	26.9	43.1	16.2
900x630	966x696		966x916	960x690	960x910	990x720	990x940	1020x750	1020x970	1890	200	47.4	38.2					54.0	23.2	17.7	28.4
B	1100x800	1167x867	1167x1087	1160x860	1160x1080	1190x890	1190x1110	1220x920	1220x1140	2290	200	220	160		62.6	52.0	65.1	31.7	23.7	33.8	
	1400x1000	1467x1067	1467x1367	1460x1060	1460x1360	1490x1090	1490x1390	1520x1120	1520x1420	2890	300				86.8	69.3	95.5	44.5	31.0	46.7	
C	1800x1100	1868x1168	1868x1468	1860x1160	1860x1460	1890x1190	1890x1490	1920x1220	1920x1520	3690	300	260	360	200	300	115.2	91.9	113.8	59.2	40.6	53.7
	2300x1200	2368x1268	2368x1568	2360x1260	2360x1560	2390x1290	2390x1590	2420x1320	2420x1620	4690	300					148.8	116.5	136.6	76.5	51.0	63.0

Identification example:

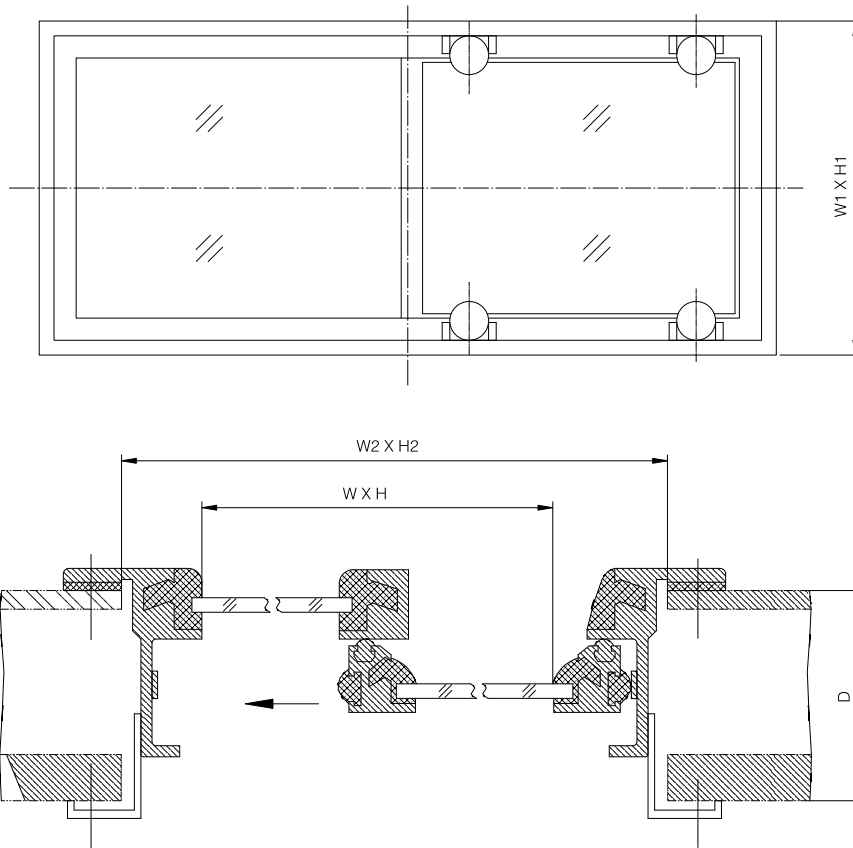
Sliding fire proof service window with clear size of 1100X800

Fireproof service window A1100X800 CB\*3288-1987.


**ALUMINIUM SLIDING WINDOW**

261XDF005-00

With good tightness,widely used for various ships.



type	clear size W X H	external size W1 X H1	cutout size W2 X H2	round angle window	lining thickness D
AF AY	500 X 300	600 X 400	558 X 358	R90	80~120
	700 X 400	800 X 500	758 X 458		
	800 X 500	900 X 600	858 X 558		
	900 X 600	1000 X 700	958 X 658		
	1000 X 700	1100 X 800	1058 X 758		
	1200 X 800	1300 X 900	1258 X 858		
	1400 X 800	1500 X 900	1458 X 858		

type	code
square angle	AF
round angle	AY

Identification example:

Aluminium sliding window with clear size of 700X400, depth of 100, square angle:

Aluminium sliding window AF700X400-100 261XDF005-00



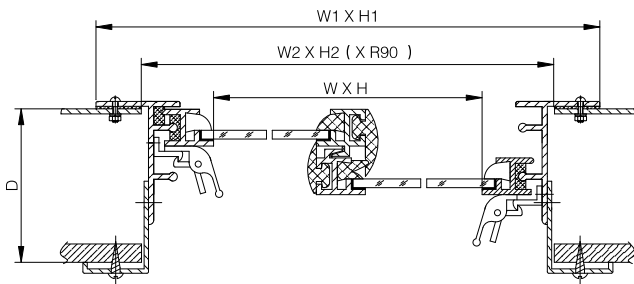
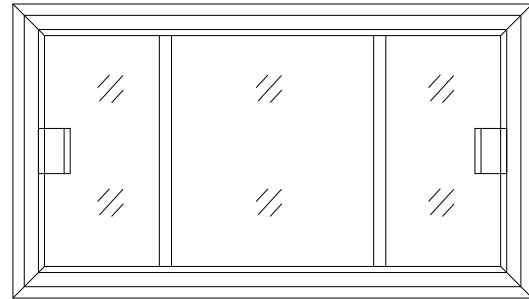
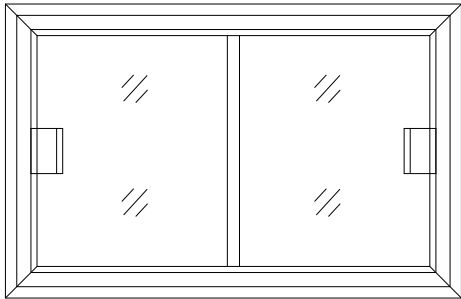
## LIGHT ALUMINIUM DOUBLE LEAF SLIDING WINDOW

261XDF006-00

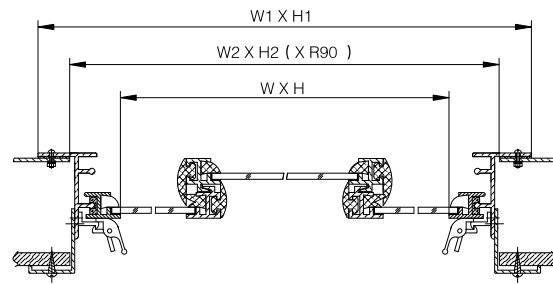
With good tightness, used for yacht and ferry.

type A	double leaf	L R
type B	triple leaf	middle part fixed

code	Y	F
type	round angle cutout in steel wall R90	square angle



double leaf



triple leaf

type	mm clear size W X H	mm external size W1 X H1	mm cutout in steel wall W2 X H2	lining thickness D	weight Kg
A	600 X 300	726 X 426	682 X 382	55~120	8.2
	700 X 400	826 X 526	782 X 482		11.4
	800 X 500	926 X 626	882 X 582		15.2
	900 X 600	1026 X 726	982 X 682		18.6
	1000 X 600	1126 X 726	1082 X 682		21.7

type	mm clear size W X H	mm external size W1 X H1	mm cutout in steel wall W2 X H2	lining thickness D	weight Kg
B	1100 X 500	1226 X 626	1182 X 582	55~120	11.1
	1200 X 500	1326 X 626	1282 X 582		15.2
	1400 X 600	1526 X 726	1482 X 682		21.4
	1600 X 700	1726 X 826	1682 X 782		26.7
	1800 X 700	1926 X 826	1882 X 782		28.4

Identification example:

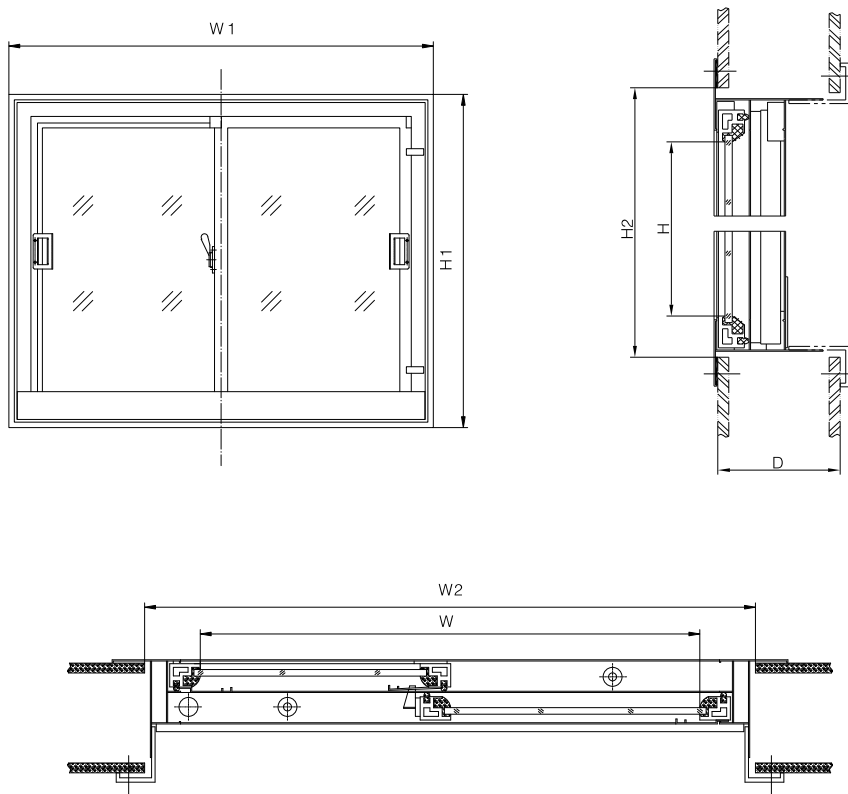
Light aluminium triple leaf sliding window with clear size of

1100 × 800, square angle:

Light aluminium triple leaf sliding window BF1100 × 800 261XDF006


**ALUMINIUM DOUBLE LEAF SLIDING WINDOW**

261XDF028-00



clear size W X H	external size W1 X H1	cutout size W2 X H2	lining thickness D	weight Kg
500 X 300	644 X 444	600 X 400	80-120	7.8
700 X 400	844 X 544	800 X 500		9.2
800 X 500	944 X 644	900 X 600		12.4
900 X 600	1044 X 744	1000 X 700		15.7
1000 X 700	1144 X 844	1100 X 800		18.4

Identification example:

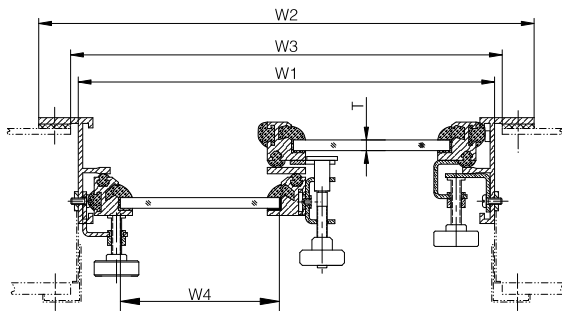
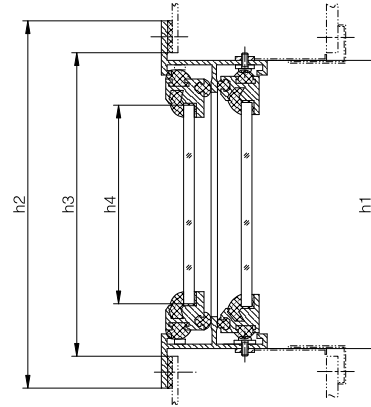
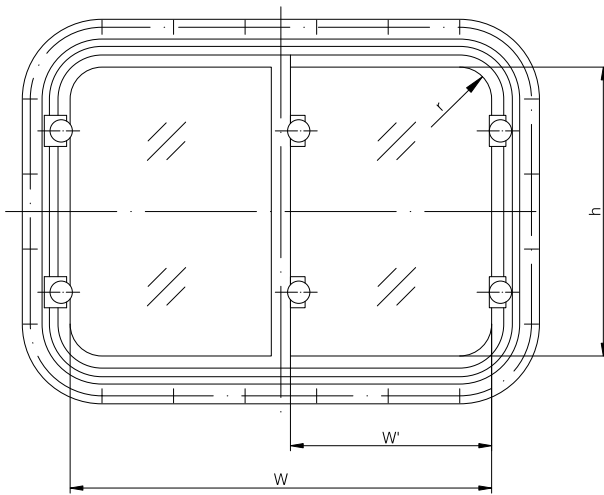
Aluminium double leaf sliding window with clear size of 700 X 400 and frame depth of 100.

Aluminium double leaf sliding window 700 X 400-100 261XDF028

**ALUMINIUM SLIDING WINDOW**

CB/T3765-1996

The sliding window could be adopted at the wheelhouse and superstructure above the freeboard deck of the vessels.



type	code
square angle	F
round angle	Y

no.	mm		mm		cutout in steel wall W3 X h3 X r3	mm		qty	weight Kg	
	clear size W X h	sub clearsize W' X h X r	frame size			glass external size	T		t=8	t=6
1	740 X 500	355 X 500 X 50	825 X 588 X 94	890 X 650 X 125	840 X 600 X 100	6,8		373 X 518 X 58	20	20.0
2	830 X 560	400 X 560 X 50	918 X 648 X 94	980 X 710 X 125	930 X 660 X 100		418 X 578 X 58	24	21.9	20.7
3	930 X 630	450 X 630 X 100	1018 X 718 X 144	1080 X 780 X 175	1030 X 730 X 150		468 X 648 X 108	26	24.8	23.3
4	1030 X 710	500 X 710 X 100	1118 X 798 X 144	1180 X 860 X 175	1130 X 810 X 150		518 X 728 X 108	30	28.0	26.1
5	500 X 630	235 X 630 X 50	588 X 718 X 94	650 X 780 X 125	600 X 730 X 100		253 X 648 X 58	18	18.6	17.8
6	600 X 710	285 X 710 X 50	688 X 798 X 94	750 X 860 X 125	700 X 810 X 100		303 X 728 X 58	22	21.5	20.4
7	750 X 800	360 X 800 X 50	838 X 888 X 94	900 X 950 X 125	850 X 900 X 100		378 X 818 X 58	26	25.6	24.0

Identification example:

Aluminium sliding window clear size 750X800 left opening ( L ) :

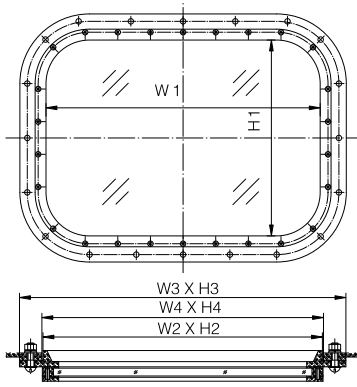
Aluminium sliding window 750X800-L CB/T 3765-1996



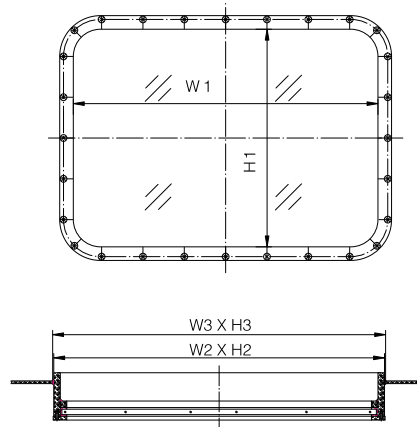
## WHEELHOUSE FIXED RECTANGULAR WINDOW

CB/T3226-1995

Used for wheelhouse, bridge etc.



Type A-bolted fixed(aluminium alloy)



Type B-welding fixed(steel)

type	frame	description	main frame material
A	BH	heating bolted	aluminium
	BN	safety glass, bolted	
B	WH	heating welding	steel
	WN	safety glass welding	

type	mm clear size		mm frame size		cutout in steel wall		glass thickness	
	W1 X H1	W2 X H2	W3 X H3	W4 X H4	r	BH	BN	
A	800 X 630	848 X 678	920 X 750	852 X 682	126	12	15	
	800 X 710	848 X 758	920 X 830	852 X 762		12	15	
	900 X 630	948 X 678	1020 X 750	952 X 682		12	17	
	900 X 710	948 X 758	1020 X 830	952 X 762		12	17	
	900 X 800	948 X 848	1020 X 920	952 X 852		12	17	
	1200 X 630	1248 X 678	1320 X 750	1252 X 682		15	20	
	1200 X 710	1248 X 758	1320 X 830	1252 X 762		15	20	
	1200 X 800	1248 X 848	1320 X 920	1252 X 852		15	20	
	1500 X 710	1548 X 758	1620 X 830	1552 X 762		15	20	
	1500 X 800	1548 X 848	1620 X 920	1552 X 852		15	20	
	1800 X 710	1848 X 758	1920 X 830	1852 X 762		15	20	
	1800 X 800	1848 X 848	1920 X 920	1852 X 852		15	20	
	1800 X 900	1848 X 948	1920 X 1020	1852 X 952		15	20	

type	mm clear size		mm frame size		cutout in steel wall		glass thickness	
	W1 X H1	W2 X H2	W3 X H3	W4 X H4	r	BH	BN	
B	800 X 630	848 X 678	920 X 750	852 X 682	126	12	15	
	800 X 710	848 X 758	920 X 830	852 X 762		12	15	
	900 X 630	948 X 678	1020 X 750	952 X 682		12	17	
	900 X 710	948 X 758	1020 X 830	952 X 762		12	17	
	900 X 800	948 X 848	1020 X 920	952 X 852		12	17	
	1200 X 630	1248 X 678	1320 X 750	1252 X 682		15	20	
	1200 X 710	1248 X 758	1320 X 830	1252 X 762		15	20	
	1200 X 800	1248 X 848	1320 X 920	1252 X 852		15	20	
	1500 X 710	1548 X 758	1620 X 830	1552 X 762		15	20	
	1500 X 800	1548 X 848	1620 X 920	1552 X 852		15	20	
	1800 X 710	1848 X 758	1920 X 830	1852 X 762		15	20	
	1800 X 800	1848 X 848	1920 X 920	1852 X 852		15	20	
	1800 X 900	1848 X 948	1920 X 1020	1852 X 952		15	20	

Identification example:

Wheelhouse fixed rectangular window, electrical heating, clear size of 1500X800, min. power load of 12W/dm<sup>2</sup>, AC, 220V, 60Hz, central overheating protection unit:

Wheelhouse fixed rectangular window, WH – 1500X800, 12G14,CB/T3226-1995